

Distributor:



GAMITA PAK-IT PTE. LTD.

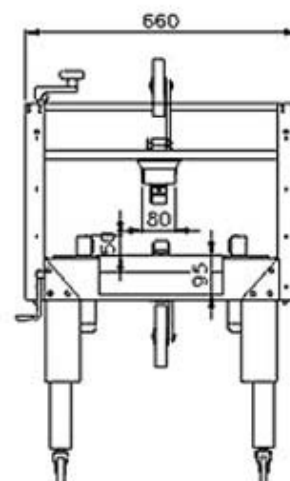
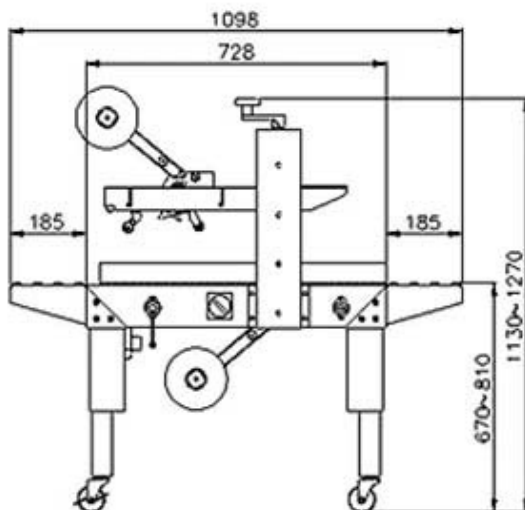
164 Kallang Way #02-07, Singapore 349248
Tel: +65 6842 2686 / +65 6846 0737
Fax: +65 6842 3698
email: sales@gamitapakit.com.sg
website: <http://www.gamitapakit.com.sg>



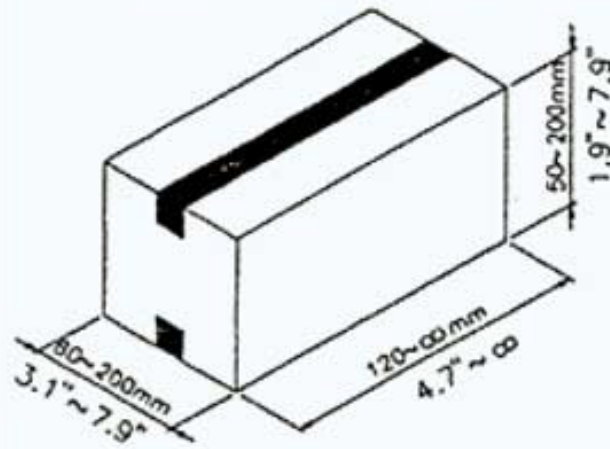
PW-562M Mini-type Carton Sealing Machine

FEATURES:

- 1 New tapping head incorporating a V shaped plate (patented) designed to keep the tape straight and in position for consistent sealing of every carton. This design is superior to previous blower devices.
- 2 Two sides belt driven, main driven mechanism uses special bearing bracket that its advantage is high precise, low noise to strengthen the belt's life.
- 3 Use 1.5" adhesive tape the overlap length of carton is 25mm to save cost.
- 4 Outstanding exterior, ingenious design & steady and durability.
- 5 To best fit for being sealed inner box, small carton and even light carton.
- 6 High sealing speed; to be sealed perfect.



PW-562M 1.5" Tape-carton range



▶ SPECIFICATIONS:

Model	PW-562M
Power Supply	1 Ø 110V,220V 50 or 60Hz Two motors, 60W
Sealing Speed	20M/min
Cartons/Hr	1500 Cartons per hour
Tape Width	1.5"
Shipping Size	L794xW726xH1035(mm), L31.2x28.6"40.7"(inch)
N.W.	85kgs,187(lbs)
G.W.	135kgs,297(lbs)

Note: Specifications subject to change without notice.