

GAMITA PAK-IT PTE. LTD.

164 Kallang Way #02-07, Singapore 349248 - Tel: +65 6842 2686 / +65 6846 0737 - Fax: +65 6842 3698 - email: sales@gamitapakit.com.sg

BENISON



Special for **Tamper Evident** **Heat Tunnel**



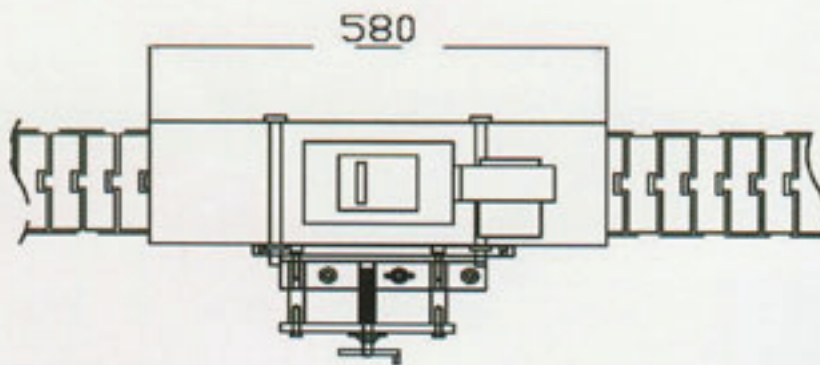
GS-75 / 100

For more information, please visit us at www.gamitapakit.com.sg

Heat Tunnel

| SPECIFICATION | MODEL | | |
|---------------------------------|-------------|------------------------------------|-------------|
| | Unit | ShrinkTunnel (For Tamper Evident) | |
| | | GS-75 | GS-100 |
| Power | | 1 ϕ 220v | |
| Machine Dimension | LxWxH (m/m) | 580X180X360 | 580X205X465 |
| Tunnel Dimension | LxWxH (m/m) | 580X75X95 | 580X100X150 |
| Motor | W. | 25 | |
| Heater | KW | 5 | |
| Temp. in Tunnel | MAX. | 250°C | |
| Appiled Material | | PVC / PET / OPS / PLA | |
| Tunnel Height Adjustment Device | | OPTIONAL | |

All specifications, design and characteristics shown on this catalogue are subject to change without prior notice.



GS-75 / 100 DIAGRAM

